

Job name ..

Date daymonth 2020

Model Shanti Bottle

Size 500ml

Bottle colour White

Cap colour Antracite

Strip colour Black

Print colour 1 PMS

Print colour 2 PMS

Print colour 3 PMS

Print colour 4 PMS

Print colour 5 PMS

Print colour 6 PMS

Sign for approval:

Name:

Date:

Signature:

Only valid together with approved Order Confirmation (OC).

Once approved, we take no responsibility for artwork or production errors.

In order to avoid a production delay, please confirm within 24 hrs.

! By approving this visual, you accept the following deviations:

1. When printing on coloured bottles, it is necessary to print a white underlay first. In some cases an outline is visible.
2. Dark bottles are more sensitive to scratches and scuff marks.
3. When printing a multiple colour design, where the colours meet a 0,5 mm tolerance in closure must be accepted.
4. When printing full colour process CMYK, the end result is mat, pixelated and can deviate from the visual proof. Our raster size is 34 dpi.

Bottles are dishwasher safe up to 40° C !



Job name ..

Date daymonth 2020

Model Shanti Bottle

Size 500ml

Bottle colour Pearl

Cap colour Antracite

Strip colour Black

Print colour 1 PMS

Print colour 2 PMS

Print colour 3 PMS

Print colour 4 PMS

Print colour 5 PMS

Print colour 6 PMS

Sign for approval:

Name:

Date:

Signature:

Only valid together with approved Order Confirmation (OC).

Once approved, we take no responsibility for artwork or production errors.

In order to avoid a production delay, please confirm within 24 hrs.

! By approving this visual, you accept the following deviations:

1. When printing on coloured bottles, it is necessary to print a white underlay first. In some cases an outline is visible.
2. Dark bottles are more sensitive to scratches and scuff marks.
3. When printing a multiple colour design, where the colours meet a 0,5 mm tolerance in closure must be accepted.
4. When printing full colour process CMYK, the end result is mat, pixelated and can deviate from the visual proof. Our raster size is 34 dpi.

Bottles are dishwasher safe up to 40° C !



Job name ..

Date daymonth 2020

Model Shanti Bottle

Size 500ml

Bottle colour Transparent

Cap colour Antracite

Strip colour Black

Print colour 1 PMS

Print colour 2 PMS

Print colour 3 PMS

Print colour 4 PMS

Print colour 5 PMS

Print colour 6 PMS

Sign for approval:

Name:

Date:

Signature:

Only valid together with approved Order Confirmation (OC).

Once approved, we take no responsibility for artwork or production errors.

In order to avoid a production delay, please confirm within 24 hrs.

! By approving this visual, you accept the following deviations:

1. When printing on coloured bottles, it is necessary to print a white underlay first. In some cases an outline is visible.
2. Dark bottles are more sensitive to scratches and scuff marks.
3. When printing a multiple colour design, where the colours meet a 0,5 mm tolerance in closure must be accepted.
4. When printing full colour process CMYK, the end result is mat, pixelated and can deviate from the visual proof. Our raster size is 34 dpi.

Bottles are dishwasher safe up to 40° C !



Job name ..

Date daymonth 2020

Model Shanti Bottle

Size 500ml

Bottle colour Silver

Cap colour Antracite

Strip colour Black

Print colour 1 PMS

Print colour 2 PMS

Print colour 3 PMS

Print colour 4 PMS

Print colour 5 PMS

Print colour 6 PMS

Sign for approval:

Name:

Date:

Signature:

Only valid together with approved Order Confirmation (OC).

Once approved, we take no responsibility for artwork or production errors.

In order to avoid a production delay, please confirm within 24 hrs.

! By approving this visual, you accept the following deviations:

1. When printing on coloured bottles, it is necessary to print a white underlay first. In some cases an outline is visible.
2. Dark bottles are more sensitive to scratches and scuff marks.
3. When printing a multiple colour design, where the colours meet a 0,5 mm tolerance in closure must be accepted.
4. When printing full colour process CMYK, the end result is mat, pixelated and can deviate from the visual proof. Our raster size is 34 dpi.

Bottles are dishwasher safe up to 40° C !



Job name ..

Date daymonth 2020

Model Shanti Bottle

Size 500ml

Bottle colour Gray 430

Cap colour Antracite

Strip colour Black

Print colour 1 PMS

Print colour 2 PMS

Print colour 3 PMS

Print colour 4 PMS

Print colour 5 PMS

Print colour 6 PMS

Sign for approval:

Name:

Date:

Signature:

Only valid together with approved Order Confirmation (OC).

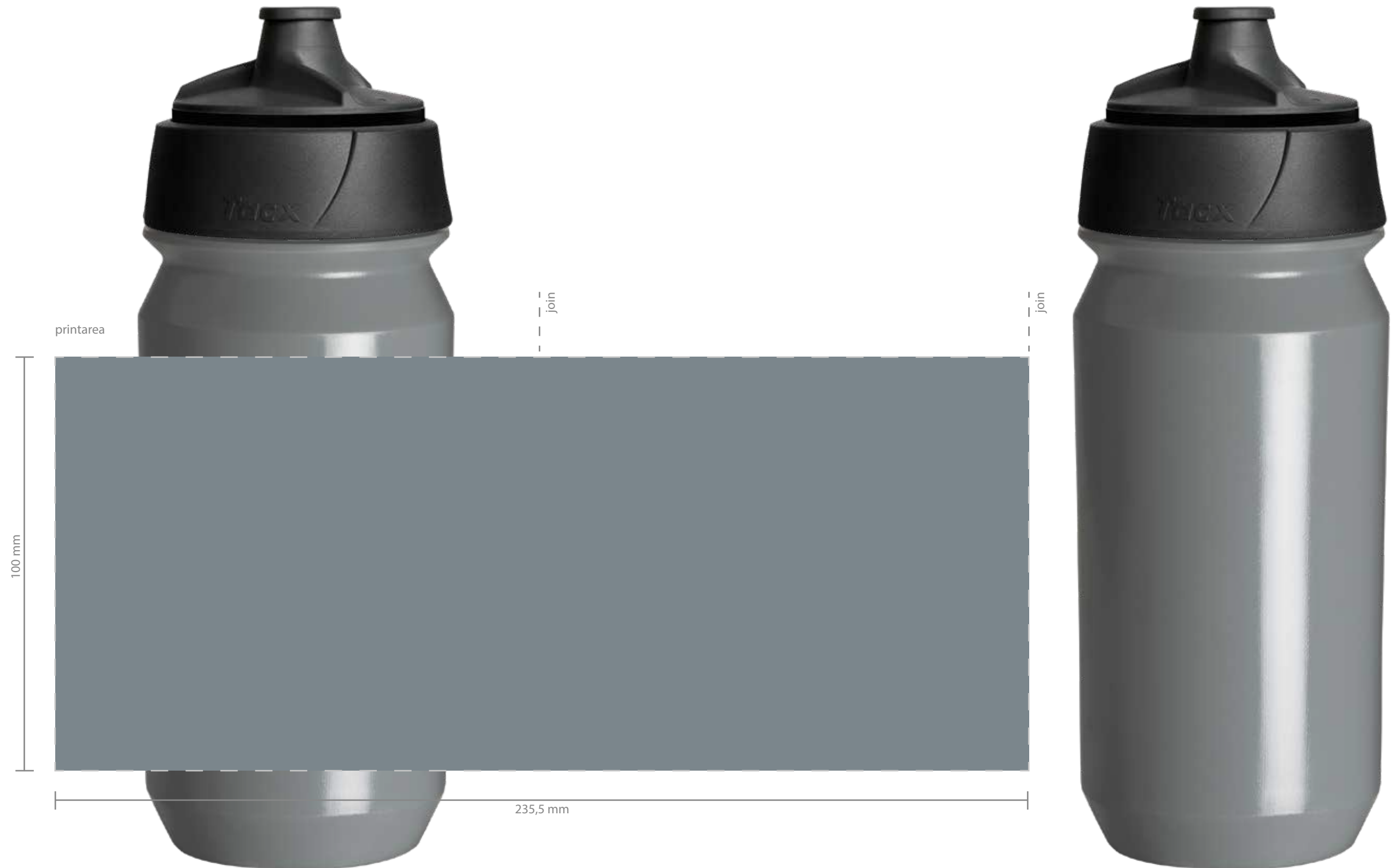
Once approved, we take no responsibility for artwork or production errors.

In order to avoid a production delay, please confirm within 24 hrs.

! By approving this visual, you accept the following deviations:

1. When printing on coloured bottles, it is necessary to print a white underlay first. In some cases an outline is visible.
2. Dark bottles are more sensitive to scratches and scuff marks.
3. When printing a multiple colour design, where the colours meet a 0,5 mm tolerance in closure must be accepted.
4. When printing full colour process CMYK, the end result is mat, pixelated and can deviate from the visual proof. Our raster size is 34 dpi.

Bottles are dishwasher safe up to 40° C !



Job name ..

Date daymonth 2020

Model Shanti Bottle
Size 500ml
Bottle colour Transparent Black
Cap colour Antracite
Strip colour Black

Print colour 1 PMS
Print colour 2 PMS
Print colour 3 PMS
Print colour 4 PMS
Print colour 5 PMS
Print colour 6 PMS

Sign for approval:

Name:

Date:

Signature:

Only valid together with approved Order Confirmation (OC).
Once approved, we take no responsibility for artwork or production errors.
In order to avoid a production delay, please confirm within 24 hrs.

! By approving this visual, you accept the following deviations:
1. When printing on coloured bottles, it is necessary to print a white underlay first. In some cases an outline is visible.
2. Dark bottles are more sensitive to scratches and scuff marks.
3. When printing a multiple colour design, where the colours meet a 0,5 mm tolerance in closure must be accepted.
4. When printing full colour process CMYK, the end result is mat, pixelated and can deviate from the visual proof. Our raster size is 34 dpi.
Bottles are dishwasher safe up to 40° C !



Job name ..

Date daymonth 2020

Model Shanti Bottle

Size 500ml

Bottle colour Black

Cap colour Antracite

Strip colour Black

Print colour 1 PMS

Print colour 2 PMS

Print colour 3 PMS

Print colour 4 PMS

Print colour 5 PMS

Print colour 6 PMS

Sign for approval:

Name:

Date:

Signature:

Only valid together with approved Order Confirmation (OC).

Once approved, we take no responsibility for artwork or production errors.

In order to avoid a production delay, please confirm within 24 hrs.

! By approving this visual, you accept the following deviations:

1. When printing on coloured bottles, it is necessary to print a white underlay first. In some cases an outline is visible.
2. Dark bottles are more sensitive to scratches and scuff marks.
3. When printing a multiple colour design, where the colours meet a 0,5 mm tolerance in closure must be accepted.
4. When printing full colour process CMYK, the end result is mat, pixelated and can deviate from the visual proof. Our raster size is 34 dpi.

Bottles are dishwasher safe up to 40° C !



Job name ..

Date daymonth 2020

Model Shanti Bottle
Size 500ml
Bottle colour Transparent 2915
Cap colour Antracite
Strip colour Black

Print colour 1 PMS
Print colour 2 PMS
Print colour 3 PMS
Print colour 4 PMS
Print colour 5 PMS
Print colour 6 PMS

Sign for approval:

Name:

Date:

Signature:

Only valid together with approved Order Confirmation (OC).
Once approved, we take no responsibility for artwork or production errors.
In order to avoid a production delay, please confirm within 24 hrs.

! By approving this visual, you accept the following deviations:
1. When printing on coloured bottles, it is necessary to print a white underlay first. In some cases an outline is visible.
2. Dark bottles are more sensitive to scratches and scuff marks.
3. When printing a multiple colour design, where the colours meet a 0,5 mm tolerance in closure must be accepted.
4. When printing full colour process CMYK, the end result is mat, pixelated and can deviate from the visual proof. Our raster size is 34 dpi.
Bottles are dishwasher safe up to 40° C !



Job name ..

Date daymonth 2020

Model Shanti Bottle

Size 500ml

Bottle colour Blue 801

Cap colour Antracite

Strip colour Black

Print colour 1 PMS

Print colour 2 PMS

Print colour 3 PMS

Print colour 4 PMS

Print colour 5 PMS

Print colour 6 PMS

Sign for approval:

Name:

Date:

Signature:

Only valid together with approved Order Confirmation (OC).

Once approved, we take no responsibility for artwork or production errors.

In order to avoid a production delay, please confirm within 24 hrs.

! By approving this visual, you accept the following deviations:

1. When printing on coloured bottles, it is necessary to print a white underlay first. In some cases an outline is visible.
2. Dark bottles are more sensitive to scratches and scuff marks.
3. When printing a multiple colour design, where the colours meet a 0,5 mm tolerance in closure must be accepted.
4. When printing full colour process CMYK, the end result is mat, pixelated and can deviate from the visual proof. Our raster size is 34 dpi.

Bottles are dishwasher safe up to 40° C !



Job name ..

Date daymonth 2020

Model Shanti Bottle

Size 500ml

Bottle colour Blue 300

Cap colour Antracite

Strip colour Black

Print colour 1 PMS

Print colour 2 PMS

Print colour 3 PMS

Print colour 4 PMS

Print colour 5 PMS

Print colour 6 PMS

Sign for approval:

Name:

Date:

Signature:

Only valid together with approved Order Confirmation (OC).

Once approved, we take no responsibility for artwork or production errors.

In order to avoid a production delay, please confirm within 24 hrs.

! By approving this visual, you accept the following deviations:

1. When printing on coloured bottles, it is necessary to print a white underlay first. In some cases an outline is visible.
2. Dark bottles are more sensitive to scratches and scuff marks.
3. When printing a multiple colour design, where the colours meet a 0,5 mm tolerance in closure must be accepted.
4. When printing full colour process CMYK, the end result is mat, pixelated and can deviate from the visual proof. Our raster size is 34 dpi.

Bottles are dishwasher safe up to 40° C !



Job name ..

Date daymonth 2020

Model Shanti Bottle

Size 500ml

Bottle colour Blue 287

Cap colour Antracite

Strip colour Black

Print colour 1 PMS

Print colour 2 PMS

Print colour 3 PMS

Print colour 4 PMS

Print colour 5 PMS

Print colour 6 PMS

Sign for approval:

Name:

Date:

Signature:

Only valid together with approved Order Confirmation (OC).

Once approved, we take no responsibility for artwork or production errors.

In order to avoid a production delay, please confirm within 24 hrs.

! By approving this visual, you accept the following deviations:

1. When printing on coloured bottles, it is necessary to print a white underlay first. In some cases an outline is visible.
2. Dark bottles are more sensitive to scratches and scuff marks.
3. When printing a multiple colour design, where the colours meet a 0,5 mm tolerance in closure must be accepted.
4. When printing full colour process CMYK, the end result is mat, pixelated and can deviate from the visual proof. Our raster size is 34 dpi.

Bottles are dishwasher safe up to 40° C !



Job name ..

Date daymonth 2020

Model Shanti Bottle

Size 500ml

Bottle colour Green 375

Cap colour Antracite

Strip colour Black

Print colour 1 PMS

Print colour 2 PMS

Print colour 3 PMS

Print colour 4 PMS

Print colour 5 PMS

Print colour 6 PMS

Sign for approval:

Name:

Date:

Signature:

Only valid together with approved Order Confirmation (OC).

Once approved, we take no responsibility for artwork or production errors.

In order to avoid a production delay, please confirm within 24 hrs.

! By approving this visual, you accept the following deviations:

1. When printing on coloured bottles, it is necessary to print a white underlay first. In some cases an outline is visible.
2. Dark bottles are more sensitive to scratches and scuff marks.
3. When printing a multiple colour design, where the colours meet a 0,5 mm tolerance in closure must be accepted.
4. When printing full colour process CMYK, the end result is mat, pixelated and can deviate from the visual proof. Our raster size is 34 dpi.

Bottles are dishwasher safe up to 40° C !



Job name ..

Date daymonth 2020

Model Shanti Bottle

Size 500ml

Bottle colour Yellow 108

Cap colour Antracite

Strip colour Black

Print colour 1 PMS

Print colour 2 PMS

Print colour 3 PMS

Print colour 4 PMS

Print colour 5 PMS

Print colour 6 PMS

Sign for approval:

Name:

Date:

Signature:

Only valid together with approved Order Confirmation (OC).

Once approved, we take no responsibility for artwork or production errors.

In order to avoid a production delay, please confirm within 24 hrs.

! By approving this visual, you accept the following deviations:

1. When printing on coloured bottles, it is necessary to print a white underlay first. In some cases an outline is visible.
2. Dark bottles are more sensitive to scratches and scuff marks.
3. When printing a multiple colour design, where the colours meet a 0,5 mm tolerance in closure must be accepted.
4. When printing full colour process CMYK, the end result is mat, pixelated and can deviate from the visual proof. Our raster size is 34 dpi.

Bottles are dishwasher safe up to 40° C !



Job name ..

Date daymonth 2020

Model Shanti Bottle

Size 500ml

Bottle colour Fluo Yellow

Cap colour Antracite

Strip colour Black

Print colour 1 PMS

Print colour 2 PMS

Print colour 3 PMS

Print colour 4 PMS

Print colour 5 PMS

Print colour 6 PMS

Sign for approval:

Name:

Date:

Signature:

Only valid together with approved Order Confirmation (OC).

Once approved, we take no responsibility for artwork or production errors.

In order to avoid a production delay, please confirm within 24 hrs.

! By approving this visual, you accept the following deviations:

1. When printing on coloured bottles, it is necessary to print a white underlay first. In some cases an outline is visible.
2. Dark bottles are more sensitive to scratches and scuff marks.
3. When printing a multiple colour design, where the colours meet a 0,5 mm tolerance in closure must be accepted.
4. When printing full colour process CMYK, the end result is mat, pixelated and can deviate from the visual proof. Our raster size is 34 dpi.

Bottles are dishwasher safe up to 40° C !



Job name ..
Screen nr
Date daymonth 2020

Model Shanti Bottle
Size 500ml
Bottle colour Orange 151
Cap colour Antracite
Strip colour Black

Print colour 1 PMS
Print colour 2 PMS
Print colour 3 PMS
Print colour 4 PMS
Print colour 5 PMS
Print colour 6 PMS

Sign for approval:

Name:

Date:

Signature:

Only valid together with approved Order Confirmation (OC).
Once approved, we take no responsibility for artwork or production errors.
In order to avoid a production delay, please confirm within 24 hrs.

! By approving this visual, you accept the following deviations:
1. When printing on coloured bottles, it is necessary to print a white underlay first. In some cases an outline is visible.
2. Dark bottles are more sensitive to scratches and scuff marks.
3. When printing a multiple colour design, where the colours meet a 0,5 mm tolerance in closure must be accepted.
4. When printing full colour process CMYK, the end result is mat, pixelated and can deviate from the visual proof. Our raster size is 34 dpi.
Bottles are dishwasher safe up to 40° C !



Job name ..

Date daymonth 2020

Model Shanti Bottle

Size 500ml

Bottle colour Red 485

Cap colour Antracite

Strip colour Black

Print colour 1 PMS

Print colour 2 PMS

Print colour 3 PMS

Print colour 4 PMS

Print colour 5 PMS

Print colour 6 PMS

Sign for approval:

Name:

Date:

Signature:

Only valid together with approved Order Confirmation (OC).

Once approved, we take no responsibility for artwork or production errors.

In order to avoid a production delay, please confirm within 24 hrs.

! By approving this visual, you accept the following deviations:

1. When printing on coloured bottles, it is necessary to print a white underlay first. In some cases an outline is visible.
2. Dark bottles are more sensitive to scratches and scuff marks.
3. When printing a multiple colour design, where the colours meet a 0,5 mm tolerance in closure must be accepted.
4. When printing full colour process CMYK, the end result is mat, pixelated and can deviate from the visual proof. Our raster size is 34 dpi.

Bottles are dishwasher safe up to 40° C !



Job name ..

Date daymonth 2020

Model Shanti Bottle

Size 500ml

Bottle colour Pink 212

Cap colour Antracite

Strip colour Black

Print colour 1 PMS

Print colour 2 PMS

Print colour 3 PMS

Print colour 4 PMS

Print colour 5 PMS

Print colour 6 PMS

Sign for approval:

Name:

Date:

Signature:

Only valid together with approved Order Confirmation (OC).

Once approved, we take no responsibility for artwork or production errors.

In order to avoid a production delay, please confirm within 24 hrs.

! By approving this visual, you accept the following deviations:

1. When printing on coloured bottles, it is necessary to print a white underlay first. In some cases an outline is visible.
2. Dark bottles are more sensitive to scratches and scuff marks.
3. When printing a multiple colour design, where the colours meet a 0,5 mm tolerance in closure must be accepted.
4. When printing full colour process CMYK, the end result is mat, pixelated and can deviate from the visual proof. Our raster size is 34 dpi.

Bottles are dishwasher safe up to 40° C !



Job name ..

Date daymonth 2020

Model Shanti Bottle

Size 500ml

Bottle colour Fluo Pink

Cap colour Antracite

Strip colour Black

Print colour 1 PMS

Print colour 2 PMS

Print colour 3 PMS

Print colour 4 PMS

Print colour 5 PMS

Print colour 6 PMS

Sign for approval:

Name:

Date:

Signature:

Only valid together with approved Order Confirmation (OC).

Once approved, we take no responsibility for artwork or production errors.

In order to avoid a production delay, please confirm within 24 hrs.

! By approving this visual, you accept the following deviations:

1. When printing on coloured bottles, it is necessary to print a white underlay first. In some cases an outline is visible.
2. Dark bottles are more sensitive to scratches and scuff marks.
3. When printing a multiple colour design, where the colours meet a 0,5 mm tolerance in closure must be accepted.
4. When printing full colour process CMYK, the end result is mat, pixelated and can deviate from the visual proof. Our raster size is 34 dpi.

Bottles are dishwasher safe up to 40° C !



Job name ..

Date daymonth 2020

Model Shanti Bottle

Size 500ml

Bottle colour Purple 2665

Cap colour Antracite

Strip colour Black

Print colour 1 PMS

Print colour 2 PMS

Print colour 3 PMS

Print colour 4 PMS

Print colour 5 PMS

Print colour 6 PMS

Sign for approval:

Name:

Date:

Signature:

Only valid together with approved Order Confirmation (OC).

Once approved, we take no responsibility for artwork or production errors.

In order to avoid a production delay, please confirm within 24 hrs.

! By approving this visual, you accept the following deviations:

1. When printing on coloured bottles, it is necessary to print a white underlay first. In some cases an outline is visible.
2. Dark bottles are more sensitive to scratches and scuff marks.
3. When printing a multiple colour design, where the colours meet a 0,5 mm tolerance in closure must be accepted.
4. When printing full colour process CMYK, the end result is mat, pixelated and can deviate from the visual proof. Our raster size is 34 dpi.

Bottles are dishwasher safe up to 40° C !



Job name ..

Date daymonth 2020

Model Shanti Bottle

Size 500ml

Bottle colour Purple 2685

Cap colour Antracite

Strip colour Black

Print colour 1 PMS

Print colour 2 PMS

Print colour 3 PMS

Print colour 4 PMS

Print colour 5 PMS

Print colour 6 PMS

Sign for approval:

Name:

Date:

Signature:

Only valid together with approved Order Confirmation (OC).

Once approved, we take no responsibility for artwork or production errors.

In order to avoid a production delay, please confirm within 24 hrs.

! By approving this visual, you accept the following deviations:

1. When printing on coloured bottles, it is necessary to print a white underlay first. In some cases an outline is visible.
2. Dark bottles are more sensitive to scratches and scuff marks.
3. When printing a multiple colour design, where the colours meet a 0,5 mm tolerance in closure must be accepted.
4. When printing full colour process CMYK, the end result is mat, pixelated and can deviate from the visual proof. Our raster size is 34 dpi.

Bottles are dishwasher safe up to 40° C !



Job name ..

Date daymonth 2020

Model Shanti Bottle

Size 500ml

Bottle colour Mint 3262

Cap colour Antracite

Strip colour Black

Print colour 1 PMS

Print colour 2 PMS

Print colour 3 PMS

Print colour 4 PMS

Print colour 5 PMS

Print colour 6 PMS

Sign for approval:

Name:

Date:

Signature:

Only valid together with approved Order Confirmation (OC).

Once approved, we take no responsibility for artwork or production errors.

In order to avoid a production delay, please confirm within 24 hrs.

! By approving this visual, you accept the following deviations:

1. When printing on coloured bottles, it is necessary to print a white underlay first. In some cases an outline is visible.
2. Dark bottles are more sensitive to scratches and scuff marks.
3. When printing a multiple colour design, where the colours meet a 0,5 mm tolerance in closure must be accepted.
4. When printing full colour process CMYK, the end result is mat, pixelated and can deviate from the visual proof. Our raster size is 34 dpi.

Bottles are dishwasher safe up to 40° C !



Job name ..

Date daymonth 2020

Model Shanti Bottle

Size 500ml

Bottle colour Coral 170

Cap colour Antracite

Strip colour Black

Print colour 1 PMS

Print colour 2 PMS

Print colour 3 PMS

Print colour 4 PMS

Print colour 5 PMS

Print colour 6 PMS

Sign for approval:

Name:

Date:

Signature:

Only valid together with approved Order Confirmation (OC).

Once approved, we take no responsibility for artwork or production errors.

In order to avoid a production delay, please confirm within 24 hrs.

! By approving this visual, you accept the following deviations:

1. When printing on coloured bottles, it is necessary to print a white underlay first. In some cases an outline is visible.
2. Dark bottles are more sensitive to scratches and scuff marks.
3. When printing a multiple colour design, where the colours meet a 0,5 mm tolerance in closure must be accepted.
4. When printing full colour process CMYK, the end result is mat, pixelated and can deviate from the visual proof. Our raster size is 34 dpi.

Bottles are dishwasher safe up to 40° C !

